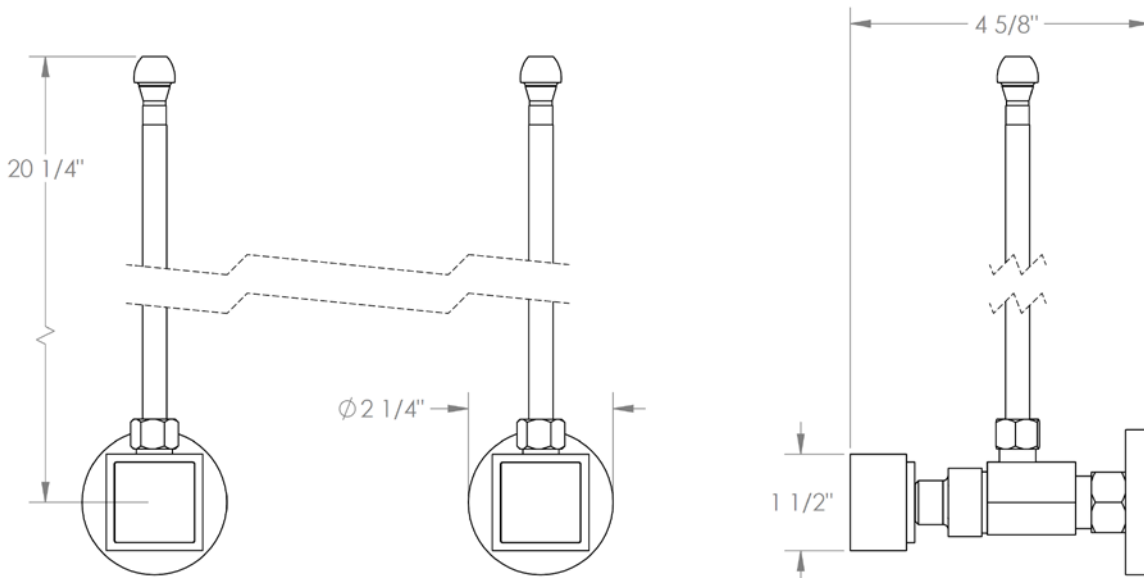
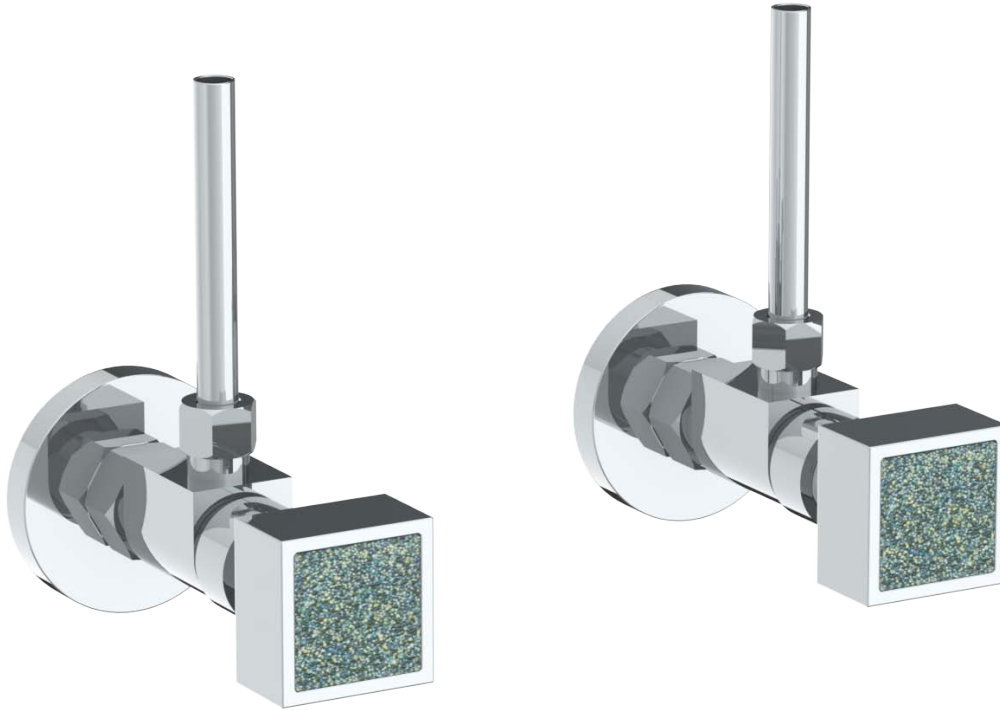


97-MAS1-J6

Lavatory Angle Stop Kit

1/2" Compression x 3/8" OD Compression

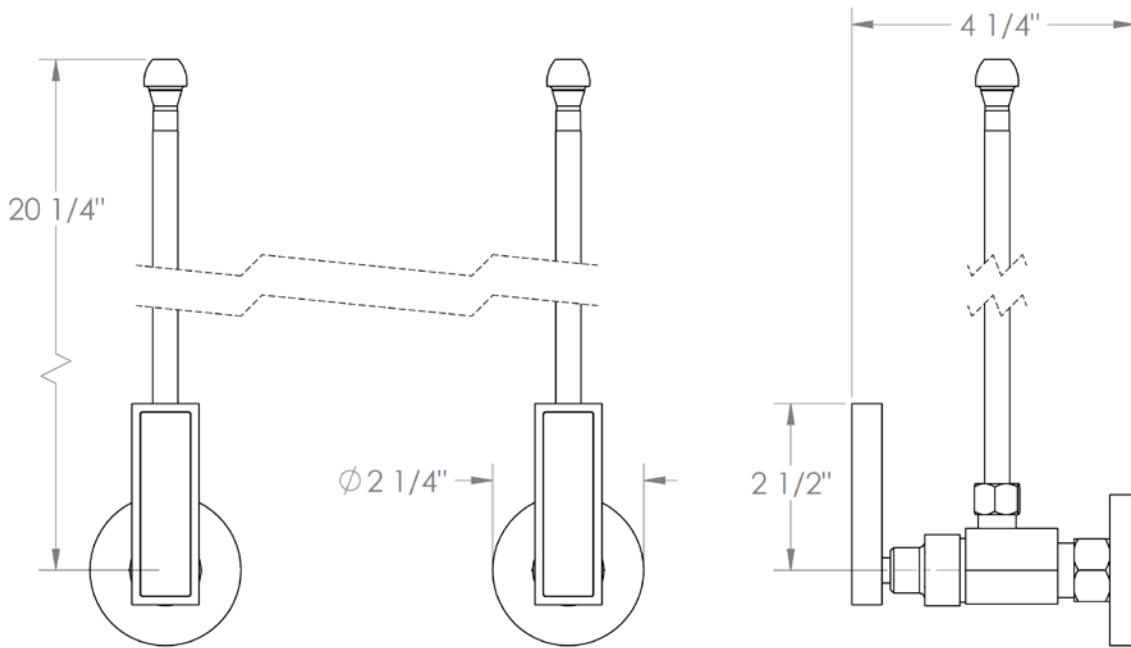
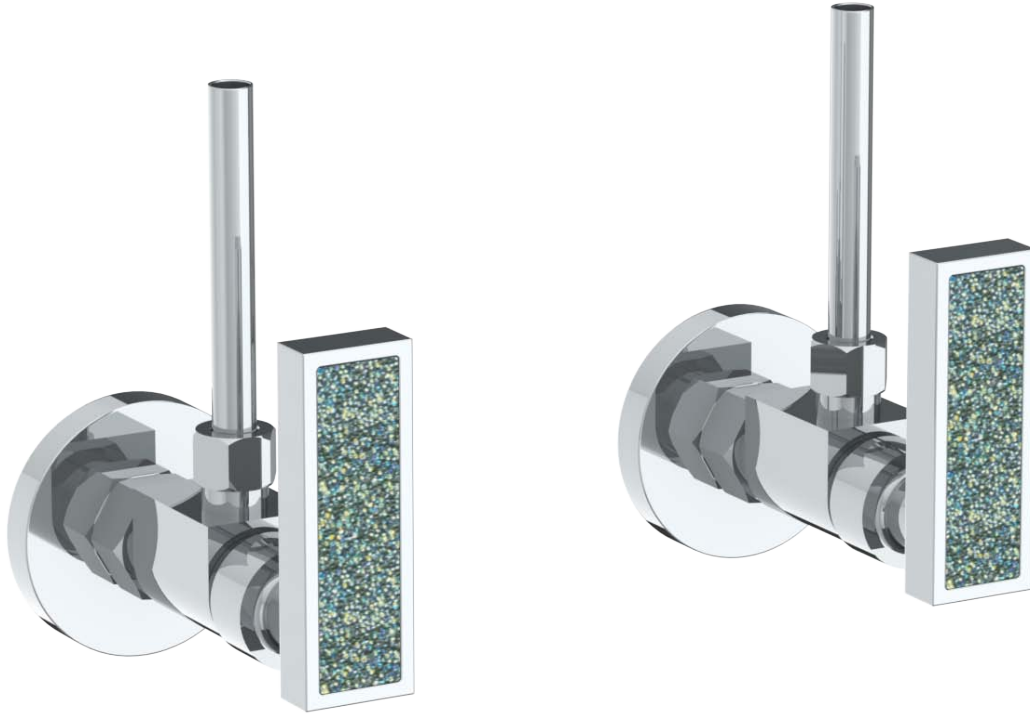


WATERMARK DESIGNS 3/1/2018

97-MAS1-J5

Lavatory Angle Stop Kit

1/2" Compression x 3/8" OD Compression



Meets the applicable requirements of ASME A112.18.1-2005/CSA B125.1-05, entitled "Plumbing Supply Fittings"

WATERMARK DESIGNS 2/27/2018

350 Dewitt Ave Brooklyn NY 11207 USA T 718 257 2800 F 718 257 2144 info@watermark-designs.com